

COMPUTPWALLA

Composite Wall Plate Video Extender over Cat5 with Stereo Audio

Installation Guide

Packaging Contents

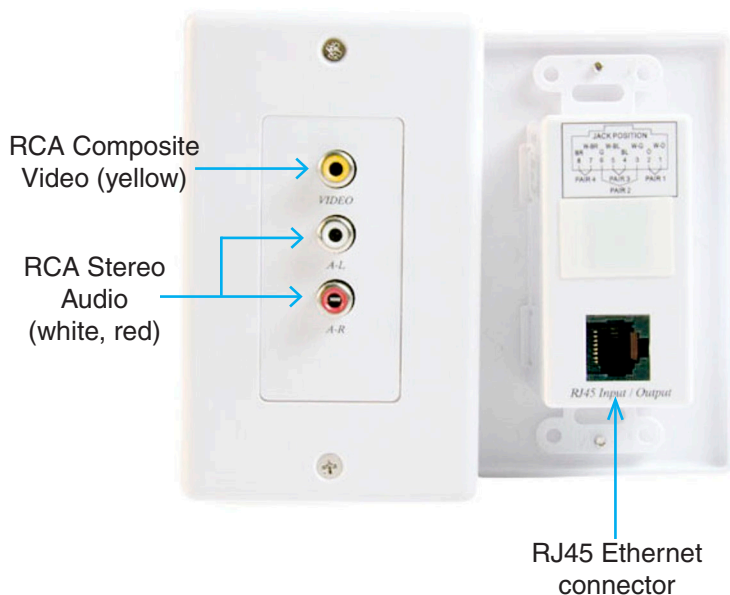
- 2 x COMPUTPWALLA units
- 2 x Screw kit
- 1 x Instruction Manual

System Requirements

- Composite video source
- Standard in-wall outlets

Installation

Front/Rear View



Hardware Installation

1. Remove the 2 screws from the front face plate and remove the face plate.
2. Plug the RJ45 connector from the wall outlet to the back of the unit.
3. Mount and secure the unit into the wall outlet using the supplied screws.
4. Mount and secure the front face plate to the unit again.
5. Repeat steps 1-4 for the other unit.
6. Connect the composite video/stereo audio source to one unit and the composite display/audio receiver to the other.

Specifications

Signal Type	Composite video Stereo analog audio (left/right)
Connectors	1 x RCA composite video 2 x RCA stereo audio 1 x RJ45
Maximum Resolution	480i
Maximum Distance	200 meters
Power	Self-Powered
Colour	White
Material	Plastic
Weight	100g
Dimensions	115.0mm x 70.0mm x 61.0mm

Warranty Information

This product is backed by a one year warranty.

In addition, StarTech.com warrants its products against defects in materials and workmanship for the periods noted, following the initial date of purchase. During this period, the products may be returned for repair, or replacement with equivalent products at our discretion. The warranty covers parts and labor costs only. StarTech.com does not warrant its products from defects or damages arising from misuse, abuse, alteration, or normal wear and tear.

Limitation of Liability

In no event shall the liability of StarTech.com Ltd. and StarTech.com USA LLP (or their officers, directors, employees or agents) for any damages (whether direct or indirect, special, punitive, incidental, consequential, or otherwise), loss of profits, loss of business, or any pecuniary loss, arising out of or related to the use of the product exceed the actual price paid for the product. Some states do not allow the exclusion or limitation of incidental or consequential damages. If such laws apply, the limitations or exclusions contained in this statement may not apply to you.