

Packaging Contents

- 1 x IREXT receiver
- 1 x IREXT transmitter
- 2 x Power Adapters
- 1 x User Guide

System Requirements

- Available power outlets near transmitter and receiver locations
- IR controlled device with remote

Specifications

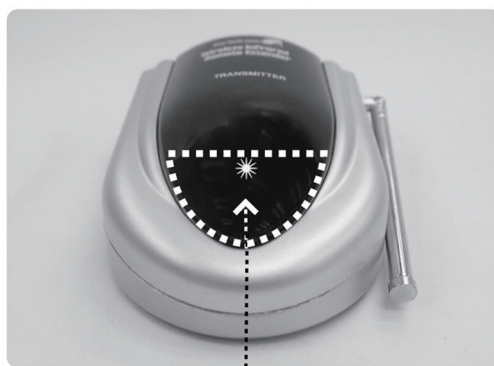
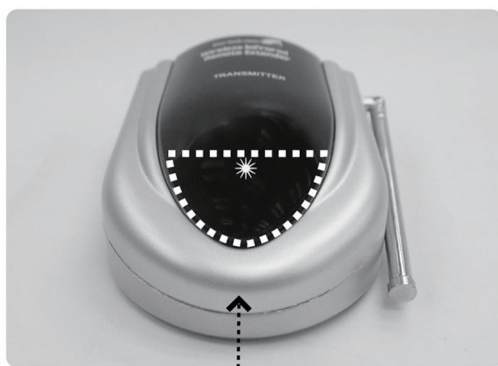
Transmission Frequency	418Hz
Receiver Tuning Frequency	38KHz
Power Adapter	12VDC, 150mA
Dimensions	103.0mm x 71.0mm x 36.0mm

Installation

Basic Setup

1. Situate the Receiver unit, near the device you wish to control remotely (e.g. Television, Home Theatre Receiver etc.).
2. Connect one of the AC power adapters provided, to an available power outlet.
3. Insert the remaining connector from the AC power adapter used in Step 2, into the port marked DC Jack located on the left side of the Receiver unit.
4. Situate the IR Extender Probe near the remote sensor of the device you wish to control. Insert the metal connector provided by the probe, into the IR Extender port located on the left side of the Receiver unit.
5. Situate the Transmitter unit, near the location from which you wish to initiate control, ensuring that an available power outlet is easily accessible.
6. Connect the remaining power adapter to an available power outlet.
7. Connect the power adapter to the DC Jack, located on the Transmitter unit.

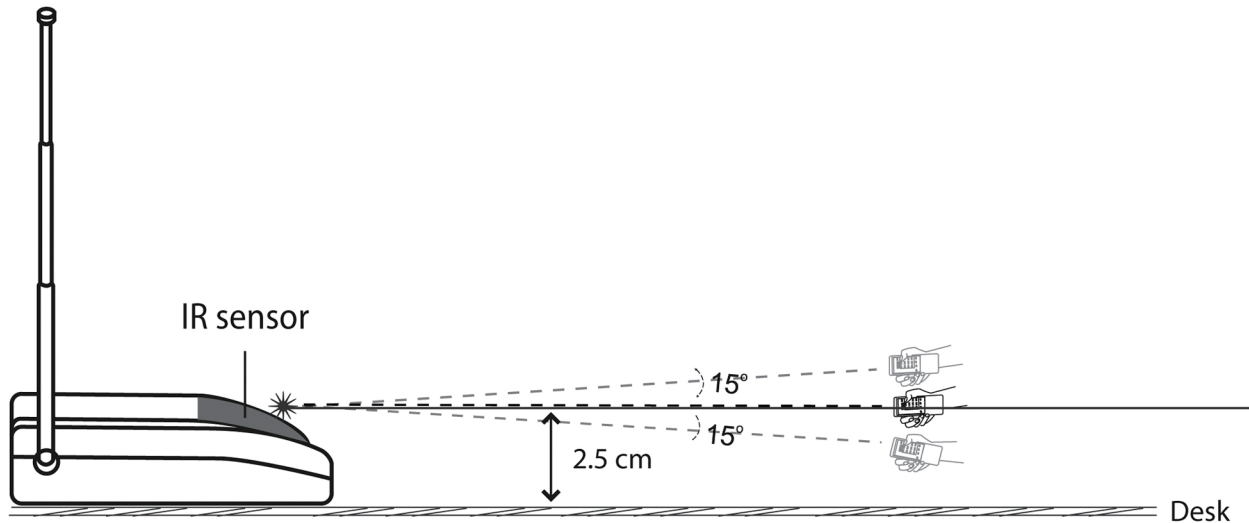
The Wireless Infrared Remote Extender is now ready for use.



The area inside dotted line is the IR sensor zone. Please make sure to always point your IR remote in this area .

Testing the IR Extender

1. Raise the IR remote control so that it is 2.5cm above the desk surface.
2. Always aim the IR remote at the IR sensor area.



Desk

FCC Compliance Statement

This equipment has been tested and found to comply with the limits for a Class B digital device, pursuant to part 15 of the FCC Rules. These limits are designed to provide reasonable protection against harmful interference in a residential installation. This equipment generates, uses and can radiate radio frequency energy and, if not installed and used in accordance with the instructions, may cause harmful interference to radio communications. However, there is no guarantee that interference will not occur in a particular installation. If this equipment does cause harmful interference to radio or television reception, which can be determined by turning the equipment off and on, the user is encouraged to try to correct the interference by one or more of the following measures:

- Reorient or relocate the receiving antenna.
- Increase the separation between the equipment and receiver.
- Connect the equipment into an outlet on a circuit different from that to which the receiver is connected.
- Consult the dealer or an experienced radio/TV technician for help.

Use of Trademarks, Registered Trademarks, and other Protected Names and Symbols

This manual may make reference to trademarks, registered trademarks, and other protected names and/or symbols of third-party companies not related in any way to StarTech.com. Where they occur these references are for illustrative purposes only and do not represent an endorsement of a product or service by StarTech.com, or an endorsement of the product(s) to which this manual applies by the third-party company in question. Regardless of any direct acknowledgement elsewhere in the body of this document, StarTech.com hereby acknowledges that all trademarks, registered trademarks, service marks, and other protected names and/or symbols contained in this manual and related documents are the property of their respective holders.

Technical Support

StarTech.com's lifetime technical support is an integral part of our commitment to provide industry-leading solutions. If you ever need help with your product, visit www.startech.com/support and access our comprehensive selection of online tools, documentation, and downloads.

Warranty Information

This product is backed by a lifetime warranty.

In addition, StarTech.com warrants its products against defects in materials and workmanship for the periods noted, following the initial date of purchase. During this period, the products may be returned for repair, or replacement with equivalent products at our discretion. The warranty covers parts and labor costs only. StarTech.com does not warrant its products from defects or damages arising from misuse, abuse, alteration, or normal wear and tear.

Limitation of Liability

In no event shall the liability of StarTech.com Ltd. and StarTech.com USA LLP (or their officers, directors, employees or agents) for any damages (whether direct or indirect, special, punitive, incidental, consequential, or otherwise), loss of profits, loss of business, or any pecuniary loss, arising out of or related to the use of the product exceed the actual price paid for the product. Some states do not allow the exclusion or limitation of incidental or consequential damages. If such laws apply, the limitations or exclusions contained in this statement may not apply to you.