

**PEX1394B3LP**

**Instruction Manual**

# **PCI Express FireWire Adapter Card**

**3-Port 2b/1a Low Profile  
IEEE1394 PCI Express FireWire  
Adapter Card**

**StarTech.com**   
*Making hard-to-find easy!®*

## **FCC Compliance Statement**

This equipment has been tested and found to comply with the limits for a Class B digital device, pursuant to part 15 of the FCC Rules. These limits are designed to provide reasonable protection against harmful interference in a residential installation. This equipment generates, uses and can radiate radio frequency energy and, if not installed and used in accordance with the instructions, may cause harmful interference to radio communications. However, there is no guarantee that interference will not occur in a particular installation. If this equipment does cause harmful interference to radio or television reception, which can be determined by turning the equipment off and on, the user is encouraged to try to correct the interference by one or more of the following measures:

- Reorient or relocate the receiving antenna.
- Increase the separation between the equipment and receiver.
- Connect the equipment into an outlet on a circuit different from that to which the receiver is connected.
- Consult the dealer or an experienced radio/TV technician for help.

## **Use of Trademarks, Registered Trademarks, and other Protected Names and Symbols**

This manual may make reference to trademarks, registered trademarks, and other protected names and/or symbols of third-party companies not related in any way to StarTech.com. Where they occur these references are for illustrative purposes only and do not represent an endorsement of a product or service by StarTech.com, or an endorsement of the product(s) to which this manual applies by the third-party company in question. Regardless of any direct acknowledgement elsewhere in the body of this document, StarTech.com hereby acknowledges that all trademarks, registered trademarks, service marks, and other protected names and/or symbols contained in this manual and related documents are the property of their respective holders.

# Table of Contents

<b>Introduction</b> .....	<b>1</b>
Packaging Contents.....	1
System Requirements .....	1
Internal View .....	2
External View.....	2
<b>Installation</b> .....	<b>3</b>
Hardware Installation.....	3
Driver Installation.....	4
Verifying Installation.....	4
<b>Specifications</b> .....	<b>5</b>
<b>Technical Support</b> .....	<b>6</b>
<b>Warranty Information</b> .....	<b>6</b>

## Introduction

The StarTech.com PEX1394B3LP 3-Port PCI Express FireWire card comes equipped with a low profile bracket for installation in small form factor PCs, but also includes an optional full-size bracket for installation in a standard-sized PC cases. The card adds two IEEE1394b (FireWire 800 - 9 pin) ports and one IEEE1394a (FireWire 400 - 6 pin) port with a native (single chip) PCI Express chipset to provide faster, more reliable and cost-effective performance.

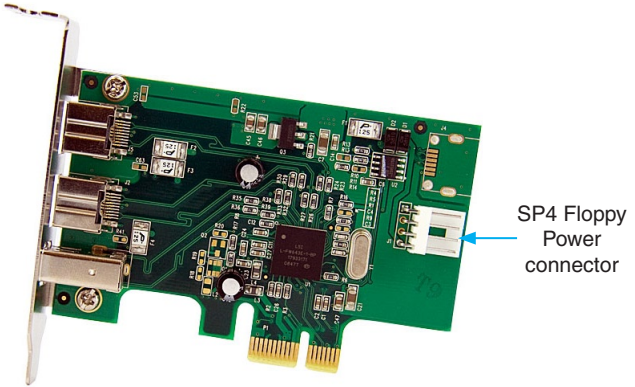
## Packaging Contents

- 1 x PEX1394B3LP adapter card
- 1 x Full Profile bracket
- 1 x Driver CD
- 1 x Instruction Manual

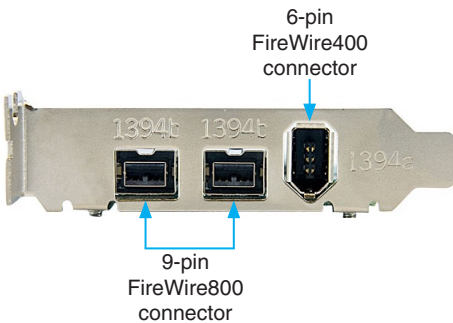
## System Requirements

- PCI Express enabled computer system with available slot
- Microsoft Windows® 2000/XP/Vista/7, or Apple Mac OS® X, or Linux®

## Internal View



## External View



# Installation

**WARNING!** PCI Express cards, like all computer equipment, can be severely damaged by static electricity. Be sure that you are properly grounded before opening your computer case or touching your PCI Express card. StarTech.com recommends that you wear an anti-static strap when installing any computer component. If an anti-static strap is unavailable, discharge yourself of any static electricity build-up by touching a large grounded metal surface (such as the computer case) for several seconds. Also be careful to handle the PCI Express card by its edges and not the gold connectors.

## Hardware Installation

1. Turn your computer off and any peripherals connected to the computer (i.e. Printers, external hard drives, etc.). Unplug the power cable from the rear of the power supply on the back of the computer.
2. Remove the cover from the computer case. See documentation for your computer system for details.
3. Locate an open PCI Express slot and remove the metal cover plate on the rear of the computer case (Refer to documentation for your computer system for details.). Note that this card will work in PCI Express slots of additional lanes (ie. x4, x8 or x16 slots).
4. Insert the card into the open PCI Express slot and fasten the bracket to the rear of the case.
5. Connect an SP4 power connector from the computer power supply to the SP4 connector on the adapter card.
6. Place the cover back onto the computer case.
7. Insert the power cable into the socket on the power supply and reconnect all other connectors removed in Step 1.

## Driver Installation

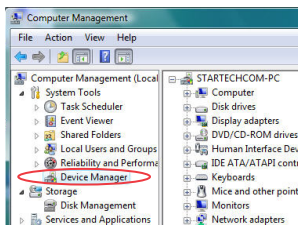
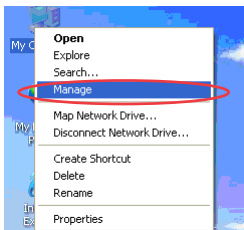
### Windows 2000/XP/Vista/7, Mac OS X, Linux

No driver installation is required for these operating systems, as this adapter card is natively supported, so the drivers are already installed.

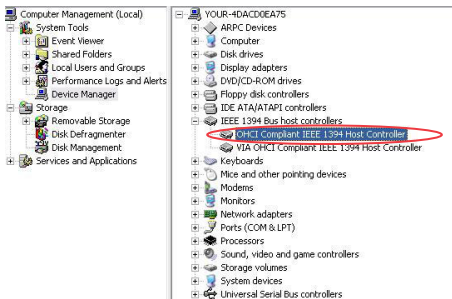
## Verifying Installation

### Windows 2000/XP/Vista/7

From the main desktop, right-click on “My Computer” (“Computer” in Vista/7), then select Manage. In the new Computer Management window, select Device Manager from the left window panel.



Double-click on the “IEEE 1394” category. A new Host Controller should be visible under this category. The card is now ready to use.



\*actual device name may vary

# Specifications

<b>Bus Interface</b>	PCI Express rev. 1.1 OHCI 1.1
<b>External Connectors</b>	2 x 9-pin FireWire 1 x 6-pin FireWire
<b>Internal Connectors</b>	1 x SP4 floppy power
<b>Chipset ID</b>	LSI FW643
<b>Maximum Data Transfer Rate</b>	FireWire800: 800Mbps
<b>Operating Temperature</b>	0°C to 70°C (32°F to 158°C)
<b>Storage Temperature</b>	-20°C to 90°C (-4°F to 194°C)
<b>Humidity</b>	0~90% RH
<b>Compatible Operating Systems</b>	Windows 2000/XP/Vista/7, Mac OS X, Linux

## Technical Support

StarTech.com's lifetime technical support is an integral part of our commitment to provide industry-leading solutions. If you ever need help with your product, visit [www.startech.com/support](http://www.startech.com/support) and access our comprehensive selection of online tools, documentation, and downloads.

## Warranty Information

This product is backed by a lifetime warranty.

In addition, StarTech.com warrants its products against defects in materials and workmanship for the periods noted, following the initial date of purchase. During this period, the products may be returned for repair, or replacement with equivalent products at our discretion. The warranty covers parts and labor costs only. StarTech.com does not warrant its products from defects or damages arising from misuse, abuse, alteration, or normal wear and tear.

### Limitation of Liability

In no event shall the liability of StarTech.com Ltd. and StarTech.com USA LLP (or their officers, directors, employees or agents) for any damages (whether direct or indirect, special, punitive, incidental, consequential, or otherwise), loss of profits, loss of business, or any pecuniary loss, arising out of or related to the use of the product exceed the actual price paid for the product. Some states do not allow the exclusion or limitation of incidental or consequential damages. If such laws apply, the limitations or exclusions contained in this statement may not apply to you.



StarTech.com has been making “hard-to-find easy” since 1985, providing high quality solutions to a diverse IT and A/V customer base that spans many channels, including government, education and industrial facilities to name just a few. We offer an unmatched selection of computer parts, cables, A/V products, KVM and Server Management solutions, serving a worldwide market through our locations in the United States, Canada, the United Kingdom and Taiwan.

Visit **[www.startech.com](http://www.startech.com)** today for complete information about all our products and to access exclusive interactive tools such as the Cable Finder, Parts Finder and the KVM Reference Guide.