

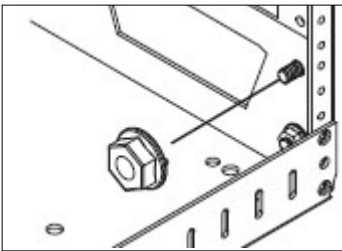
## Introduction

Designed to provide A/V professionals and integrators with a high-quality solution for housing audio/video equipment, the RK4320AV A/V Rack provides maximum durability and versatility, featuring 3.0 millimeter steel rails for exceptional strength and an impressive 400lb. storage capacity, while providing optimized ventilation as well as easy access to cables and components.

## Features

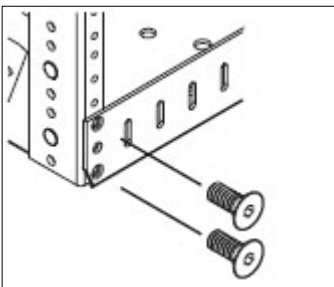
- *Innovative bolt-together assembly design to help reduce shipping expenses*
- *1/2" & 3/4" Conduit Knock Outs for simple cable configuration*
- *19" Width provides broad compatibility with standard A/V component sizes*
- *Gangable design offers storage expandability*
- *3.0 millimeter threaded 10-32 front and rear rack rail*
- *Solid construction allows for a maximum capacity of 400 lbs.*

## Assembly

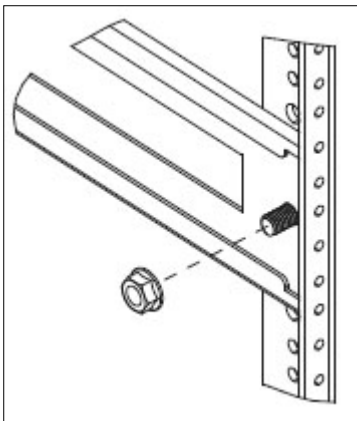


1. Attach rails to top and bottom using flange nuts (Do NOT tighten)

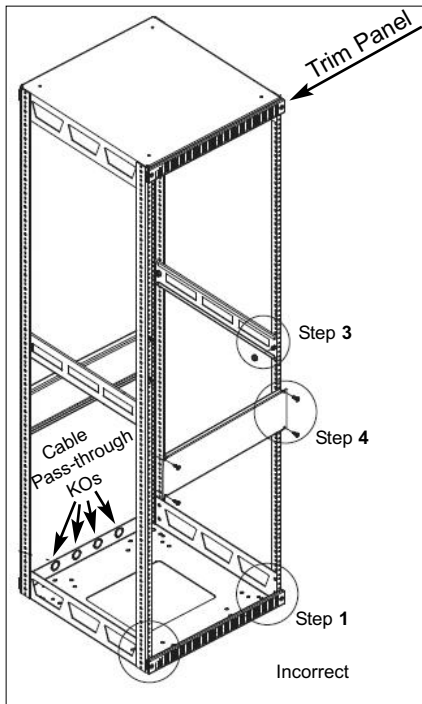
**NOTE:** Ensure KO's on top and bottom are on same side when installed



2. Fasten rackrail using 10-32 flathead allen screws

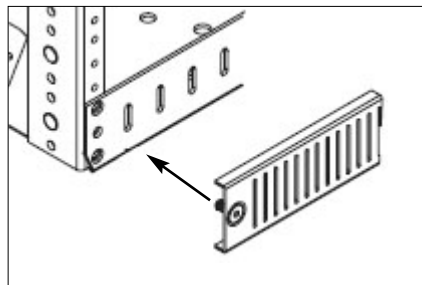


3. Install front to rear braces using flange nuts (Do NOT tighten)



4. Install front and rear squaring panels approximately mid-height using Phillips screws. (Panels may be removed after some equipment is installed within the rack)

5. Lay the rack on a flat surface so the frame does not go out of square. Tighten all flange nuts. As these are lock nuts, there is no need to over tighten.



6. Install trim panels (Do NOT over tighten)

## Specifications

<b>Dimensions: Assembled</b>	510mm*483mm*2010mm (20 x 19 x 79")
<b>Dimensions: As Shipped</b>	60mm x 80mm x 2020mm (2.4 x 3.15 x 79.5") (rails) 57mm x 54mm x 60mm (2.24 x 2.13 x 2.4") (base)
<b>Product Weight</b>	26 Kg (57.3lbs)

### Support, Warranty Information, and Regulatory Compliance Statement

If you ever need help with your product, visit [www.startech.com/support](http://www.startech.com/support) and access our comprehensive selection of online tools, documentation, and downloads. This product is backed by a one-year warranty. In addition, StarTech.com warrants its products against defects in materials and workmanship for the periods noted, following the initial date of purchase. During this period, the products may be returned for repair, or replacement with equivalent products at our discretion. The warranty covers parts and labor costs only. StarTech.com does not warrant its products from defects or damages arising from misuse, abuse, alteration, or normal wear and tear. Limitation of Liability: In no event shall the liability of StarTech.com Ltd. and StarTech.com USA LLP (or their officers, directors, employees or agents) for any damages (whether direct or indirect, special, punitive, incidental, consequential, or otherwise), loss of profits, loss of business, or any pecuniary loss, arising out of or related to the use of the product exceed the actual price paid for the product. Some states do not allow the exclusion or limitation of incidental or consequential damages. If such laws apply, the limitations or exclusions contained in this statement may not apply to you.

### FCC Compliance Statement:

This equipment has been tested and found to comply with the limits for a Class B digital device, pursuant to part 15 of the FCC Rules. These limits are designed to provide reasonable protection against harmful interference in a residential installation. This equipment generates, uses and can radiate radio frequency energy and, if not installed and used in accordance with the instructions, may cause harmful interference to radio communications. However, there is no guarantee that interference will not occur in a particular installation. If this equipment does cause harmful interference to radio or television reception, which can be determined by turning the equipment off and on, the user is encouraged to try to correct the interference by one or more of the following measures:

- Reorient or relocate the receiving antenna.
- Increase the separation between the equipment and receiver.
- Connect the equipment into an outlet on a circuit different from that to which the receiver is connected.
- Consult the dealer or an experienced radio/TV technician for help.