

SCSI Drive Case

External Drive Case for 5.25" SCSI Device



Installation Manual

SCSI2CASE1
SCSI2CASE2
SCSI2CASE4
SCSI3CASE1
SCSI3CASE2
SCSI3CASE4
SCSI3CASE8



General Description

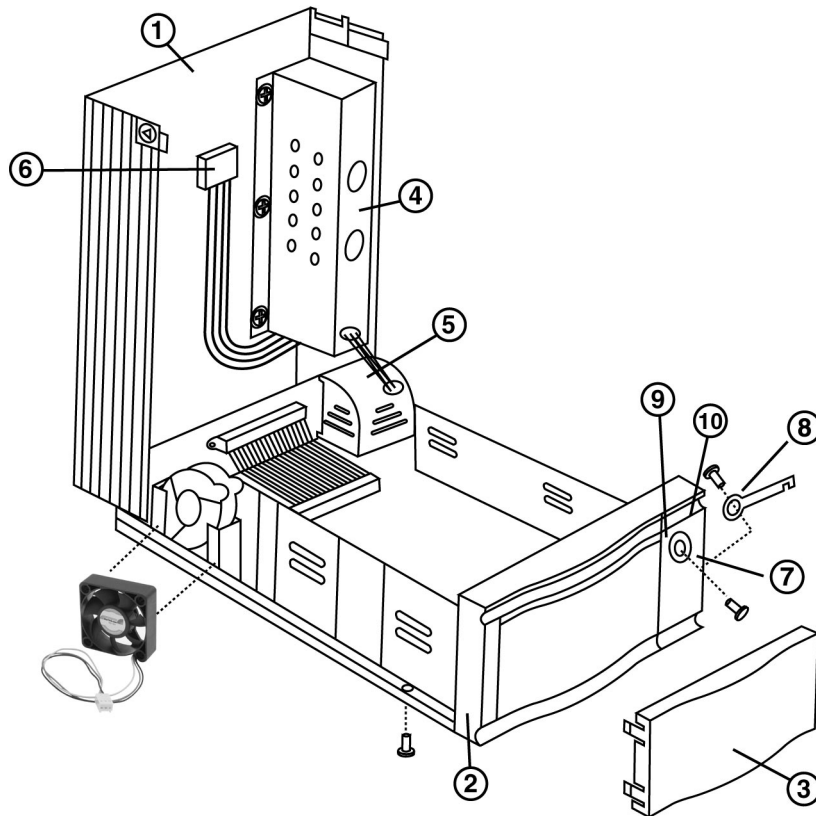
The StarTech.com SCSI/SCSI2/SCSI3 external drive cases provides a fast and easy way for PC or Mac users to add between 2 and 8 additional 50 pin hard drives, CD-ROMs, CD-RWs, or tape backup drives to their system. It provides 2 5.25 inch bays for SCSI/SCSI2/SCSI3 devices. 3.5 inch hard drives can be installed by using a 5.25 to 3.5 inch drive adapter bracket (not included). These sleek looking cases feature a built-in 80W power supply with high capacity cooling fan to keep the drives running cool.

Getting Started

This section is designed to help you prepare the SCSI Case for installation. Please read through this section carefully before attempting to install and SCSI Case.

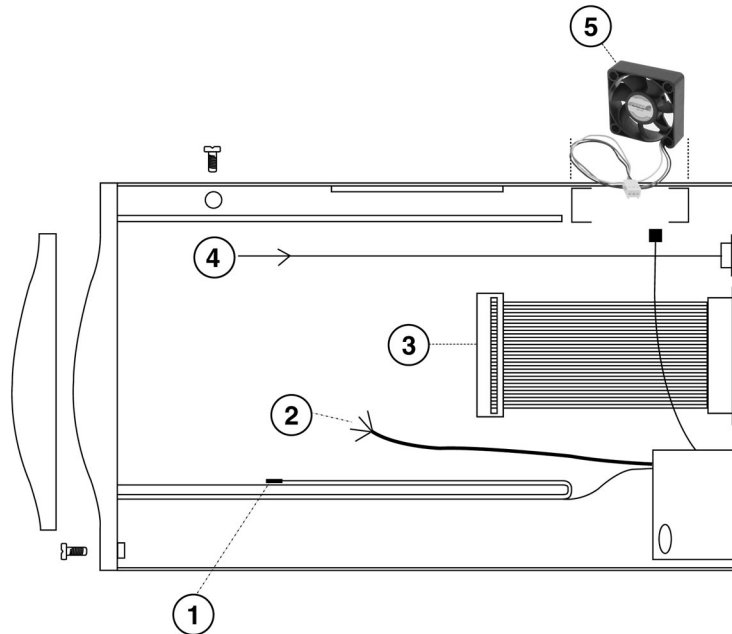
Parts Description

For Single Cases



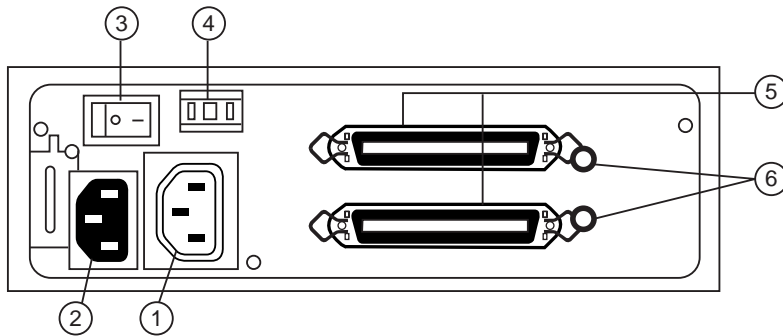
Overview

- | | |
|-----------------------|--------------------|
| 1) Cover | 6) 5V/12V Power |
| 2) Front panel frame | 7) Key lock |
| 3) Front panel | 8) Lock pin |
| 4) Power shield plate | 9) HDD working LED |
| 5) Wires cover box | 10) Power LED |



Top View

- 1) Working indicator
- 2) ID Switch
- 3) 50 pin cable (SCSI I/II), 68 pin cable (SCSI III)
- 4) Audio output
- 5) Cooling fan

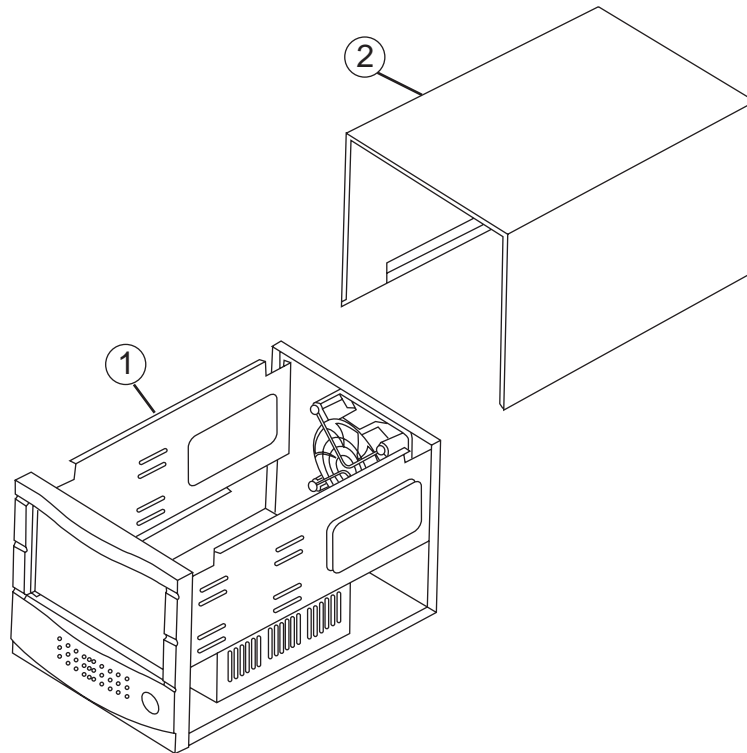


Back View

- 1) Power output
- 2) Power input
- 3) Power switch
- 4) ID Switch a) 0~7 for SCSI I/II
b) 0~15 for SCSI III
- 5) Connector - SCSI I/II/III
- 6) Audio Output (for CD ROM only)

For Multicase

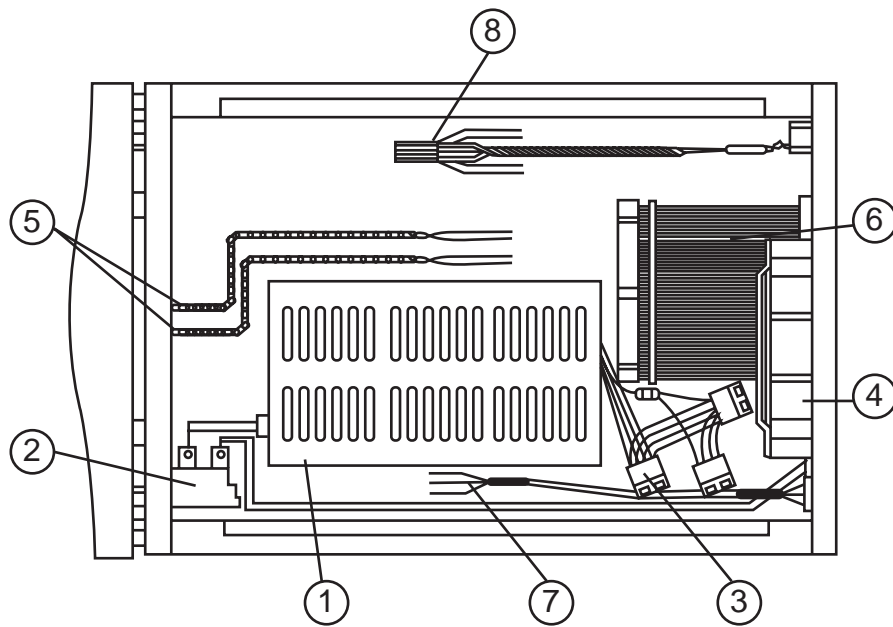
Overview



1) Chassis (Including panel and LEDs)

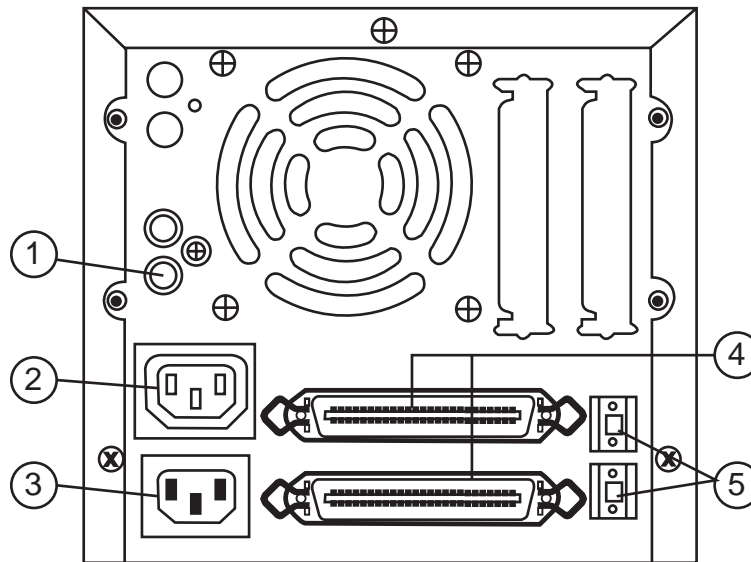
2) Cover

Top View



- | | |
|-----------------|--|
| 1) Power | 5) HDD working indicator |
| 2) Power switch | 6) 50 pin cable (SCSI I/II),
68 pin cable (SCSI III) |
| 3) Power cord | 7) Audio output |
| 4) Cooling fan | 8) ID switch (4 pin for SCSI I/II)
(5 pin for SCSI III) |

Rear View



1) Audio output (for CD ROM only)

2) Power output

3) Power input

4) Connectors

5) ID selector

Installing SCSI devices into the Drive Case

1. Locate the arrow buttons on both sides of the case. Press the buttons and lift the cover.
2. To install your devices:
 - a) For CD-ROM - Install the CD-ROM and join the connector, power & RCA jack then fasten the enclosed screws on both sides of the interior side panels, securing the device into place.
 - b) For Hard Drive Drawers - Install the Hard Drive Drawer and join the connector & power then fasten the enclosed screws on both sides of the interior side panels, securing the device into place. (To install drive drawers that are 3.5 inches requires an adapter bracket, such as the StarTech.com **BRACKET**)
 - c) **For other devices, read the instructions on your device manual.**
3. Join the connectors with the following descriptions:

ID Switch (SCSI I/II)

Color	Red	Blue	Yellow	Black
ID SW	1	2	4	COM

ID Switch (Wide SCSI)

Color	Red	Blue	Yellow	Brown	Black
ID SW	1	2	4	8	COM

HDD LED Out

Color	Yellow	White
Yellow LED	+	-

Audio

Color	Red	White	Black
RCA Jack	Right	Len	COM

Power

Color	Red	Black	Black	Yellow
DC power	+5	COM	COM	+12

4. Close the cover.