

ST1000SPEX4

Instruction Manual

PCI Express Network Adapter

**4-Port PCI Express Gigabit
Ethernet Network Adapter Card**

StarTech.com 
Making hard-to-find easy![®]

FCC Compliance Statement

This equipment has been tested and found to comply with the limits for a Class B digital device, pursuant to part 15 of the FCC Rules. These limits are designed to provide reasonable protection against harmful interference in a residential installation. This equipment generates, uses and can radiate radio frequency energy and, if not installed and used in accordance with the instructions, may cause harmful interference to radio communications. However, there is no guarantee that interference will not occur in a particular installation. If this equipment does cause harmful interference to radio or television reception, which can be determined by turning the equipment off and on, the user is encouraged to try to correct the interference by one or more of the following measures:

- Reorient or relocate the receiving antenna.
- Increase the separation between the equipment and receiver.
- Connect the equipment into an outlet on a circuit different from that to which the receiver is connected.
- Consult the dealer or an experienced radio/TV technician for help.

Use of Trademarks, Registered Trademarks, and other Protected Names and Symbols

This manual may make reference to trademarks, registered trademarks, and other protected names and/or symbols of third-party companies not related in any way to StarTech.com. Where they occur these references are for illustrative purposes only and do not represent an endorsement of a product or service by StarTech.com, or an endorsement of the product(s) to which this manual applies by the third-party company in question. Regardless of any direct acknowledgement elsewhere in the body of this document, StarTech.com hereby acknowledges that all trademarks, registered trademarks, service marks, and other protected names and/or symbols contained in this manual and related documents are the property of their respective holders.

Table of Contents

| | |
|-----------------------------------|----------|
| Introduction | 1 |
| Packaging Contents..... | 1 |
| System Requirements | 1 |
| Installation | 2 |
| Hardware Installation..... | 2 |
| Driver Installation..... | 2 |
| Verifying Installation..... | 3 |
| Specifications | 4 |
| Technical Support | 5 |
| Warranty Information | 5 |

Introduction

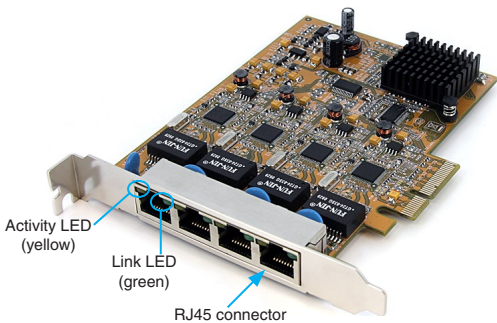
The StarTech.com 4-Port PCI Express Gigabit Ethernet Network Adapter Card adds four 10/100/1000Mbps compatible Gigabit network interfaces to a desktop or server PC with an available x4 PCI Express expansion slot. Fully compatible with IEEE 802.3/u/ab standards, this quad port Gigabit Ethernet Network Adapter supports a maximum data transfer rate of 1000Mbps in both directions (2000Mbps full duplex), which is 10 times faster than 10/100 Ethernet.

Packaging Contents

- 1 x ST1000SPEX4 card
- 1 x Driver Installation CD
- 1 x Instruction Manual

System Requirements

- PCI Express enabled computer system with available x4 slot
- Microsoft® Windows® 2000/XP/Server 2003/Vista/Server 2008 R2/7 (32/64-bit), or Apple® Mac OS® 10.4/10.5, or Linux®



Installation

WARNING! PCI Express cards, like all computer equipment, can be severely damaged by static electricity. Be sure that you are properly grounded before opening your computer case or touching your PCI Express card. StarTech.com recommends that you wear an anti-static strap when installing any computer component. If an anti-static strap is unavailable, discharge yourself of any static electricity build-up by touching a large grounded metal surface (such as the computer case) for several seconds. Also be careful to handle the PCI Express card by its edges and not the gold connectors.

Hardware Installation

1. Turn your computer off and any peripherals connected to the computer (i.e. Printers, external hard drives, etc.). Unplug the power cable from the rear of the power supply on the back of the computer and disconnect all peripheral cables.
2. Remove the cover from the computer case. See documentation for your computer system for details.
3. Locate an open x4 PCI Express slot and remove the metal cover plate on the rear of the computer case (Refer to documentation for your computer system for details.). Note that this card will work in PCI Express slots of additional lanes (ie. x8 or x16 slots).
4. Insert the card into the open PCI Express slot and fasten the bracket to the rear of the case.
5. Place the cover back onto the computer case.
6. Insert the power cable into the socket on the power supply and reconnect all other connectors removed in Step 1.

Driver Installation

Windows 2000/XP/Server 2003

1. When the Found New Hardware wizard appears on the screen, insert the Driver CD into your CD/DVD drive. If you are prompted

to connect to Windows Update, please select the “No, not this time” option and click Next.

2. Select the option “Install Drivers Automatically (Recommended)” and then click the Next button.
3. Windows should now start searching for the drivers. Once this has completed, click the Finish button.

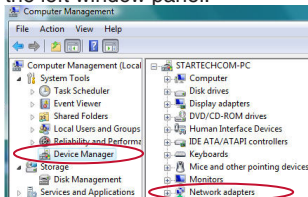
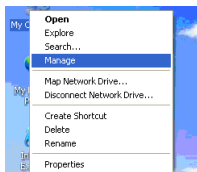
Windows Vista/7

1. When the Found New Hardware window appears on the screen, click on the “Locate and install drivers software (recommended)” option. If prompted to search online, select the “Don’t search online” option.
2. When prompted to insert the disc, insert the Driver CD that came with the card, into your CD/DVD drive and Windows will automatically proceed to search the CD.
3. If a Windows Security dialog window appears, click the “Install this driver software anyway” option to proceed.
4. Once the driver is installed, click the Close button.

Verifying Installation

Windows 2000/XP/Server 2003/Vista/Server 2008 R2/7

From the main desktop, right-click on “My Computer” (“Computer” in Vista/7), then select Manage. In the new Computer Management window, select Device Manager from the left window panel.



Double-click on the “Network Adapters” category to expand it. There should be four additional “Realtek” adapters listed.

Specifications

| | |
|-------------------------------------|---|
| Bus Interface | PCI Express 1.1 (x4 slot connector) |
| Chipset ID | Realtek RTL8111C |
| Number of Ports | 4 |
| Connectors | 4 x RJ45 |
| LEDs | 4 x Link 4 x Activity |
| Buffer Size | 48KB Transmit/Receive (on-chip) |
| Supported Standards | IEEE 802.3/802.3u/802.3ab |
| Maximum Data Transfer Rate | 1000Mbps |
| Duplex Mode | Half, Full |
| Operating Temperature | 0°C ~ 55°C (32°F ~ 131°F) |
| Storage Temperature | -20°C ~ 85°C (-4°F ~ 185°F) |
| Humidity | 5 ~ 95% RH |
| Compatible Operating Systems | Windows 2000/XP/Server 2003/ Vista/Server 2008 R2/7 (32/64-bit), Mac OS 10.4/10.5, Linux |

Technical Support

StarTech.com's lifetime technical support is an integral part of our commitment to provide industry-leading solutions. If you ever need help with your product, visit www.startech.com/support and access our comprehensive selection of online tools, documentation, and downloads.

Warranty Information

This product is backed by a one year warranty.

In addition, StarTech.com warrants its products against defects in materials and workmanship for the periods noted, following the initial date of purchase. During this period, the products may be returned for repair, or replacement with equivalent products at our discretion. The warranty covers parts and labor costs only. StarTech.com does not warrant its products from defects or damages arising from misuse, abuse, alteration, or normal wear and tear.

Limitation of Liability

In no event shall the liability of StarTech.com Ltd. and StarTech.com USA LLP (or their officers, directors, employees or agents) for any damages (whether direct or indirect, special, punitive, incidental, consequential, or otherwise), loss of profits, loss of business, or any pecuniary loss, arising out of or related to the use of the product exceed the actual price paid for the product. Some states do not allow the exclusion or limitation of incidental or consequential damages. If such laws apply, the limitations or exclusions contained in this statement may not apply to you.



StarTech.com has been making “hard-to-find easy” since 1985, providing high quality solutions to a diverse IT and A/V customer base that spans many channels, including government, education and industrial facilities to name just a few. We offer an unmatched selection of computer parts, cables, A/V products, KVM and Server Management solutions, serving a worldwide market through our locations in the United States, Canada, the United Kingdom and Taiwan.

Visit **www.startech.com** today for complete information about all our products and to access exclusive interactive tools such as the Cable Finder, Parts Finder and the KVM Reference Guide.