

4x4 VGA Matrix Switcher / Splitter with Audio

ST424MX



StarTech.com 
Making hard-to-find easy!

CONVERGEAV

FCC Compliance Statement

This equipment has been tested and found to comply with the limits for a Class B digital device, pursuant to part 15 of the FCC Rules. These limits are designed to provide reasonable protection against harmful interference in a residential installation. This equipment generates, uses and can radiate radio frequency energy and, if not installed and used in accordance with the instructions, may cause harmful interference to radio communications. However, there is no guarantee that interference will not occur in a particular installation. If this equipment does cause harmful interference to radio or television reception, which can be determined by turning the equipment off and on, the user is encouraged to try to correct the interference by one or more of the following measures:

- Reorient or relocate the receiving antenna.
- Increase the separation between the equipment and receiver.
- Connect the equipment into an outlet on a circuit different from that to which the receiver is connected.
- Consult the dealer or an experienced radio/TV technician for help.

Use of Trademarks, Registered Trademarks, and other Protected Names and Symbols

This manual may make reference to trademarks, registered trademarks, and other protected names and/or symbols of third-party companies not related in any way to StarTech.com. Where they occur these references are for illustrative purposes only and do not represent an endorsement of a product or service by StarTech.com, or an endorsement of the product(s) to which this manual applies by the third-party company in question. Regardless of any direct acknowledgement elsewhere in the body of this document, StarTech.com hereby acknowledges that all trademarks, registered trademarks, service marks, and other protected names and/or symbols contained in this manual and related documents are the property of their respective holders.

Table of Contents

Introduction	1
Features	1
Package Contents	1
Specifications	2
Input/Output Signal Assignment.....	2
Front View.....	3
Rear View	3
Installation	3
Operation	4
Operation for Cascade	5
Technical Support	7
Warranty Information	7

Introduction

Thank you for purchasing a StarTech.com 4x4 VGA Matrix Switcher / Splitter with Audio. This innovative devices allows users to share four VGA (and corresponding audio source signals) between multiple monitors.

Providing convenient pushbutton control, the VGA Matrix Switcher/Splitter allows each of the four connected VGA signals, as well as the corresponding audio, to be switched/split for display/broadcast on any of the (up to) four connected VGA displays - in turn ensuring centralized control of where the VGA signal is directed, at the push of a button.

Features

- Allows four PC's / Media Players to provide video to four displays / projectors
- Daisy chain an additional unit for use with seven sources and seven displays
- Equipped with easy to use front panel selection buttons
- High video bandwidth (350 Mhz) provides resolution of up to 1920 x 1440 pixels

Package Contents

- 1 x 4x4 VGA Matrix Selector Switch with Audio
- 1 x User Manual
- 1 x DC 12V 1.25A Power Adapter
- 2 x Ear-mounts for rack-mounting

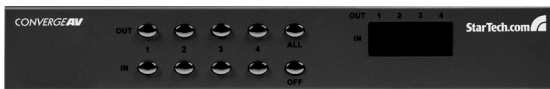
Specifications

Function	ST424MX
Video Input Connector	4x HD-15 Female
Video Output Connector	4x HD-15 Female
Audio Input Connector	4x 3.5 Stereo Jack
Audio Output Connector	4x 3.5 Stereo Jack
Select Switch	10
7-Segment LED	4
Max. Resolution	1920x1440 @ 85 Hz
Pixel Frequency	350 MHz
Cable Distance (Device to Monitor)	65m (213 feet) Max.
Power Adapter (Min.)	DC 12V 1.25A
Housing	Metal
Weight	1065 g
Dimensions (LxWxH)	269x108x42 mm

Input/Output Signal Assignment

Pin	Signal	Pin	Signal
1	Red video	9	NC
2	Green video	10	Ground
3	Blue video	11	NC
4	NC	12	ID1
5	Ground	13	Horizontal sync
6	Analog ground	14	Vertical sync
7	Analog ground	15	ID3
8	Analog Ground		

Front View



Rear View



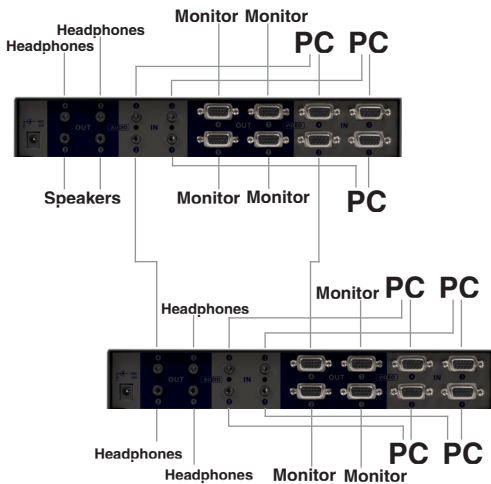
Installation

1. Ensure that the PCs, screens, and speakers being used are powered off.
2. Use an HD-15 image and 3.5mm audio extension cable(s) to connect the VGA interface and PC audio card to the "Video In" and "Audio In" ports of the ST424MX.
3. Use the HD-15 image and 3.5mm audio extension cables to connect a screen, speaker, or headphones to the "Video Out" and "Audio Out" of the ST424MX.
4. Connect the ST424MX to a power supply.
5. Turn on the PC's, screens and speakers being used.
6. Use the control switches (ie. Out1, Out2, etc) to select which audio and video signals the ST424MX will broadcast.

Operation

1. When you press button “Out1” or “Out2” or “Out3” or “Out4”, the corresponding Out 7-Segment LED will start flashing for 3 seconds. There are total three switching methods:
 - a. Press button “In1” or “In2” or “In3” or “In4” within 3 seconds to make 7-Segment LED stop flashing and change its display to the number of Input port you set. Then the Output port will switch to the corresponding Input port.
 - b. Press button ”OFF” within 3 seconds to make 7-Segment LED stop flashing and display ”0”. Then this Output port will be turned off.
 - c. If you don’t press any button within 3 seconds, the 7-Segment LED will stop flashing and keep displaying original number and setting of Output port.
 - d. If you press button “Out1” or “Out2” or “Out3” or “Out4” within 3 seconds, then Out 7-Segment LED will start flashing for 3 seconds again to wait for button “In1” or “In2” or “In3” or “In4”, “OFF” pressed.
2. When you press button ”All”, all 7-Segment LED will start flashing for 3 seconds. There are total three switching methods:
 - a. Press button “In1” or “In2” or “In3” or “In4” within 3 seconds to make all 7-Segment LED stop flashing and change their displays to the number of Input ports you set. Then all Output ports will switch to the corresponding Input ports.
 - b. Press button ”OFF” within 3 seconds to make all 7-Segment LED stop flashing and display ”0”. Then all Output ports will be turned off.
 - c. If you don’t press any button within 3 seconds, all 7-Segment LED will stop flashing and keep displaying original number and setting of Output port.
 - d. If you press button “All” within 3 seconds, then all Out 7-Segment LED will start flashing for 3 seconds again to wait for button “In1” or “In2” or “In3” or “In4”, “OFF” pressed.

Operation for Cascade



Technical Support

StarTech.com's lifetime technical support is an integral part of our commitment to provide industry-leading solutions. If you ever need help with your product, visit www.startech.com/support and access our comprehensive selection of online tools, documentation, and downloads.

Warranty Information

This product is backed by a One Year warranty. In addition, StarTech.com warrants its products against defects in materials and workmanship for the periods noted, following the initial date of purchase. During this period, the products may be returned for repair, or replacement with equivalent products at our discretion. The warranty covers parts and labor costs only. StarTech.com does not warrant its products from defects or damages arising from misuse, abuse, alteration, or normal wear and tear.

Limitation of Liability

In no event shall the liability of StarTech.com Ltd. and StarTech.com USA LLP (or their officers, directors, employees or agents) for any damages (whether direct or indirect, special, punitive, incidental, consequential, or otherwise), loss of profits, loss of business, or any pecuniary loss, arising out of or related to the use of the product exceed the actual price paid for the product. Some states do not allow the exclusion or limitation of incidental or consequential damages. If such laws apply, the limitations or exclusions contained in this statement may not apply to you.



StarTech.com has been making “hard-to-find easy” since 1985, providing high quality solutions to a diverse IT and A/V customer base that spans many channels, including government, education and industrial facilities to name just a few. We offer an unmatched selection of computer parts, cables, A/V products, KVM and Server Management solutions, serving a worldwide market through our locations in the United States, Canada, the United Kingdom and Taiwan.

Visit **www.startech.com** today for complete information about all our products and to access exclusive interactive tools such as the Cable Finder, Parts Finder and the KVM Reference Guide.