

# SV231DPU

## Instruction Manual

# DisplayPort KVM Switch

**2-Port Professional USB,  
DisplayPort KVM Switch with  
Hotkey Control**

**StarTech.com**   
*Making hard-to-find easy!®*

## **FCC Compliance Statement**

This equipment has been tested and found to comply with the limits for a Class B digital device, pursuant to part 15 of the FCC Rules. These limits are designed to provide reasonable protection against harmful interference in a residential installation. This equipment generates, uses and can radiate radio frequency energy and, if not installed and used in accordance with the instructions, may cause harmful interference to radio communications. However, there is no guarantee that interference will not occur in a particular installation. If this equipment does cause harmful interference to radio or television reception, which can be determined by turning the equipment off and on, the user is encouraged to try to correct the interference by one or more of the following measures:

- Reorient or relocate the receiving antenna.
- Increase the separation between the equipment and receiver.
- Connect the equipment into an outlet on a circuit different from that to which the receiver is connected.
- Consult the dealer or an experienced radio/TV technician for help.

## **Use of Trademarks, Registered Trademarks, and other Protected Names and Symbols**

This manual may make reference to trademarks, registered trademarks, and other protected names and/or symbols of third-party companies not related in any way to StarTech.com. Where they occur these references are for illustrative purposes only and do not represent an endorsement of a product or service by StarTech.com, or an endorsement of the product(s) to which this manual applies by the third-party company in question. Regardless of any direct acknowledgement elsewhere in the body of this document, StarTech.com hereby acknowledges that all trademarks, registered trademarks, service marks, and other protected names and/or symbols contained in this manual and related documents are the property of their respective holders.

# Table of Contents

<b>Introduction</b> .....	<b>1</b>
Packaging Contents.....	1
System Requirements .....	1
<b>Installation</b> .....	<b>1</b>
Hardware Installation.....	2
Driver Installation.....	4
<b>Operation</b> .....	<b>4</b>
Front Panel .....	4
HotKey Control .....	4
Alternative Hotkey Commands .....	7
<b>Specifications</b> .....	<b>8</b>
<b>Technical Support</b> .....	<b>9</b>
<b>Warranty Information</b> .....	<b>9</b>

# Introduction

## Packaging Contents

- 1 x SV231DPU KVM switch
- 1 x Power Adapter
- 1 x Rubber Feet
- 1 x Instruction Manual

## System Requirements

- DisplayPort enabled computer system
- USB enabled computer system
- Standard 104-key USB keyboard
- Standard 3-button USB mouse

# Installation

**NOTE:** Prior to the installation, please power off all devices that will be connected to this system.

Ensure that all devices you will connect are properly grounded.

Place cables away from fluorescent lights, air conditioners, and machines that are likely to generate electrical noise.

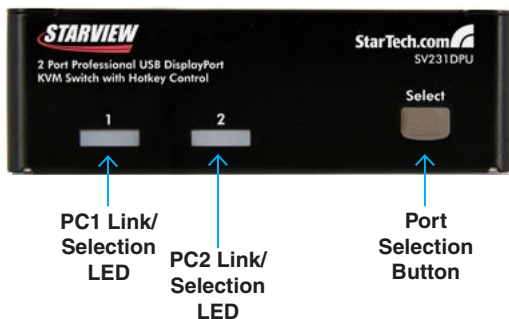
If you experience any problems using a USB KVM switch, the following BIOS setup changes may be necessary for PC users and not necessary for Mac users:

- Set HALT ON ERROR to ALL BUT KEYBOARD.
- In PNP AND PCI SETUP, set PNP OS INSTALLED to YES and set USB IRQ to ENABLED.

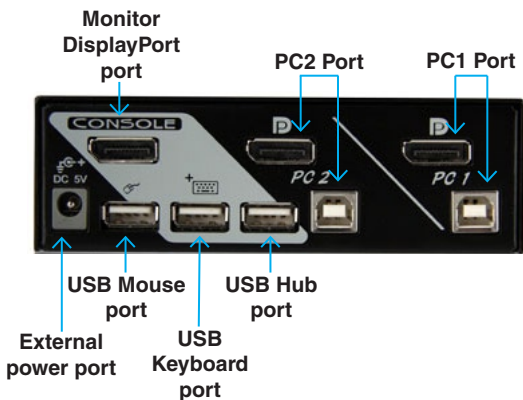
Different systems may use different naming, so contact your system manufacturer for further assistance with these settings.

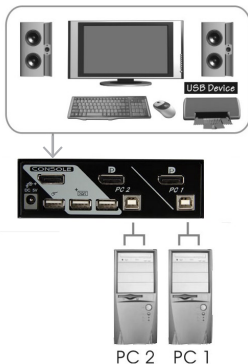
## Hardware Installation

### Front View



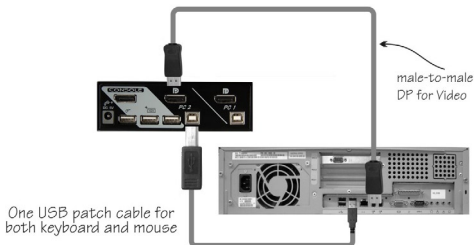
### Rear View





\*installation pictures are representations only

1. Plug a monitor into the Console's DisplayPort connector; plug a USB keyboard and a USB mouse into the dedicated USB keyboard and mouse ports on the KVM switch.
2. Use a male-to-male DisplayPort video cable to connect the DisplayPort connector on the computer's video card, to one of the KVM's PC ports (ie. PC1)
3. Use a USB type A-B Cable to connect the KVM's USB port (type B, square connector) for the PC port used in Step 2, and the USB port on the computer (type A, flat connector).
4. Repeat for Steps 2 and 3 for each PC port on the KVM switch, or each computer you wish to use on the KVM.



## Driver Installation

No driver installation is required for the KVM switch, as the keyboard and mouse uses native USB keyboard/mouse drivers that are already installed on all operating system that fully support USB.

## Operation

### Front Panel

#### PC Link/Selection LED

The LED turns green when the connected computer is powered-on. The corresponding LED will also illuminate red when that PC port is currently selected.

#### Port Selection Button

Pushing the front panel "Select" button toggles between the PC ports on the KVM switch.

### HotKey Control

A Hotkey command is a short keyboard sequence for selecting a computer, activating computer scan, etc. A hotkey sequence starts with two left Ctrl keystrokes ( successively within 0.2 seconds ) followed by one or two more keystrokes. A built-in buzzer generates a high-pitch beep for correct hotkey command; otherwise, one low-pitch beep is generated for errors and the bad key sequence will not be forwarded to the selected computer.

**NOTE:** Press and hold Left Shift and press Num Lock twice, then release Shift followed by pressing left Ctrl once, which will enable / disable the hotkey feature.

**To select a computer:**

Left Ctrl + Left Ctrl + 1  
(Example: Selects the computer at port 1.)

Left Ctrl + Left Ctrl + 2  
(Example: Selects the computer at port 2.)

**NOTE:** Do not use the keypad on the right-side of the keyboard.

**Auto Scan**

The KVM automatically scans through the powered-on computers in sequence on a fixed time interval (see Scan Time below).

**Note:** The keyboard and mouse are not operable during Auto Scan.

**To start Auto Scan:**

Left Ctrl + Left Ctrl + F1

To abort the Auto Scan mode, press the left Ctrl key twice. When Auto Scan detects any keyboard or mouse activity, it suspends the scanning till the activity stops; it then resumes with the next computer in sequence. The length of the Auto Scan interval (Scan Rate) is adjustable, see below.

**Manual Scan** allows users to manually switch back and forth between power-on computers.

Left Ctrl + Left Ctrl + F2

To select the previous or the next computer, press <UP> or <DOWN> arrow keys. To abort the Manual Scan, press any other key.

## Scan Time

Four options are available for users to set the Scan Time duration, it includes 3, 8, 15 and 30 seconds.

**Note:** Scan Time is set to 3 seconds by default.

To adjust Scan Rate, set the scan time of duration before switching to the next computer:

Left Ctrl + Left Ctrl + F3

The KVM Switch generates 1 to 4 beeps indicating a scan time duration for 3, 8, 15 or 30 seconds respectively.

## USB-Port Rule

There are two settings for USB-Port Rule: ON or OFF.

When set to 'ON', the USB Hub port follows computer selection.

When set to 'OFF', the USB Hub port stays on the currently selected PC port.

USB 1: pressing the hotkey below to turn ON/OFF the USB-Port Rule:

Left Ctrl + Left Ctrl + F7

Enforce the USB following with the selected computer by pressing the following hotkey:

Left Ctrl + Left Ctrl + U

**NOTE:** Please make sure that linking procedure of USB device has been accomplished before switching to the next computer.

## Alternative Hotkey Commands

In addition to the Left Ctrl + Left Ctrl hotkeys, there are two alternative hotkey sequences available.

1. For the following operations, users may press Scroll Lock twice instead of pressing Left Ctrl twice.

To select a computer:

Scroll Lock + Scroll Lock + 1  
(Example: Select the computer at port 1.)

Scroll Lock + Scroll Lock + 2  
(Example: Select the computer at port 2.)

**NOTE:** Do not use the keypad at the right of the keyboard.

2. For those keyboards that do not have or support Scroll Lock, please press and HOLD the Left Shift and press Num Lock twice instead of pressing Left Ctrl twice.

To select a computer:

Hold Left Shift + Press Num Lock + Press Num Lock then  
release shift + Press 1  
(Example: Select the computer at port 1.)

Hold Left Shift + Press Num Lock + Press Num Lock then  
release shift + Press 2  
(Example: Select the computer at port 2.)

**NOTE:** Do not use the keypad at the right of the keyboard.

# Specifications

<b>Number of Ports</b>	2
<b>Computer Connectors (per port)</b>	1 x DisplayPort 1 x USB type B
<b>Console Connectors</b>	1 x DisplayPort 3 x USB type A
<b>Maximum Video Resolution</b>	2560x1600@60Hz (higher resolutions may be supported at lower refresh rates)
<b>DDC2B Support</b>	Yes
<b>Audio</b>	Yes (over DisplayPort)
<b>OSD</b>	No
<b>Cascadable</b>	No
<b>Switching Modes</b>	Front Panel Button, Hotkey
<b>Power Adapter</b>	5VDC, 2A, center positive, type N plug
<b>Enclosure Material</b>	Steel
<b>Dimensions</b>	65.0mm x 126.0mm x 40.0mm
<b>Weight</b>	0.42kg

## Technical Support

StarTech.com's lifetime technical support is an integral part of our commitment to provide industry-leading solutions. If you ever need help with your product, visit [www.startech.com/support](http://www.startech.com/support) and access our comprehensive selection of online tools, documentation, and downloads.

## Warranty Information

This product is backed by a three year warranty.

In addition, StarTech.com warrants its products against defects in materials and workmanship for the periods noted, following the initial date of purchase. During this period, the products may be returned for repair, or replacement with equivalent products at our discretion. The warranty covers parts and labor costs only. StarTech.com does not warrant its products from defects or damages arising from misuse, abuse, alteration, or normal wear and tear.

### Limitation of Liability

In no event shall the liability of StarTech.com Ltd. and StarTech.com USA LLP (or their officers, directors, employees or agents) for any damages (whether direct or indirect, special, punitive, incidental, consequential, or otherwise), loss of profits, loss of business, or any pecuniary loss, arising out of or related to the use of the product exceed the actual price paid for the product. Some states do not allow the exclusion or limitation of incidental or consequential damages. If such laws apply, the limitations or exclusions contained in this statement may not apply to you.



StarTech.com has been making “hard-to-find easy” since 1985, providing high quality solutions to a diverse IT and A/V customer base that spans many channels, including government, education and industrial facilities to name just a few. We offer an unmatched selection of computer parts, cables, A/V products, KVM and Server Management solutions, serving a worldwide market through our locations in the United States, Canada, the United Kingdom and Taiwan.

Visit **[www.startech.com](http://www.startech.com)** today for complete information about all our products and to access exclusive interactive tools such as the Cable Finder, Parts Finder and the KVM Reference Guide.