

VGA2TV2WAY2

Instruction Manual

Video Converter with Scaler

**2-Way High Resolution HDTV/
VGA Video Converter
with Scaler**

StarTech.com 
Making hard-to-find easy!®

FCC Compliance Statement

This equipment has been tested and found to comply with the limits for a Class B digital device, pursuant to part 15 of the FCC Rules. These limits are designed to provide reasonable protection against harmful interference in a residential installation. This equipment generates, uses and can radiate radio frequency energy and, if not installed and used in accordance with the instructions, may cause harmful interference to radio communications. However, there is no guarantee that interference will not occur in a particular installation. If this equipment does cause harmful interference to radio or television reception, which can be determined by turning the equipment off and on, the user is encouraged to try to correct the interference by one or more of the following measures:

- Reorient or relocate the receiving antenna.
- Increase the separation between the equipment and receiver.
- Connect the equipment into an outlet on a circuit different from that to which the receiver is connected.
- Consult the dealer or an experienced radio/TV technician for help.

Use of Trademarks, Registered Trademarks, and other Protected Names and Symbols

This manual may make reference to trademarks, registered trademarks, and other protected names and/or symbols of third-party companies not related in any way to StarTech.com. Where they occur these references are for illustrative purposes only and do not represent an endorsement of a product or service by StarTech.com, or an endorsement of the product(s) to which this manual applies by the third-party company in question. Regardless of any direct acknowledgement elsewhere in the body of this document, StarTech.com hereby acknowledges that all trademarks, registered trademarks, service marks, and other protected names and/or symbols contained in this manual and related documents are the property of their respective holders.

Table of Contents

Introduction	1
Packaging Contents.....	1
System Requirements	1
Side 1 View.....	2
Side 2 View.....	2
Installation	3
Hardware Installation.....	3
Driver Installation.....	3
How to Use	4
On Screen Display.....	4
OSD Menu.....	5
Support Resolutions	6
Specifications	7
Technical Support	8
Warranty Information	8

Introduction

The StarTech.com 2-Way VGA to Component (HDTV) or Component (HDTV) to VGA video Converter / Scaler combines the features of a video scaler and a format converter, to provide a cost-effective way to display VGA (PC) or component YPbPr (HDTV) feeds.

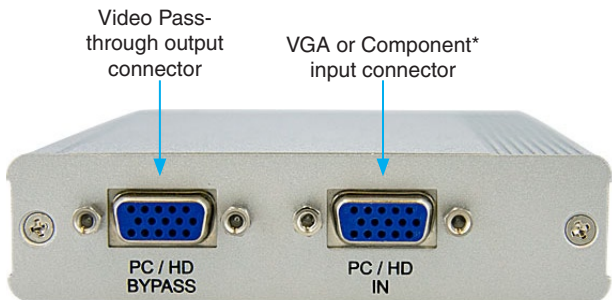
Packaging Contents

- 1 x VGA2TV2WAY2 video converter
- 1 x 3ft. VGA to YPbPr component video cable
- 1 x Power Adapter
- 1 x Instruction Manual

System Requirements

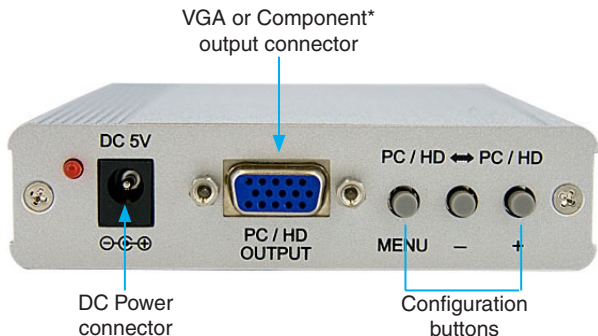
- VGA or component (YPbPr) video source
- VGA or component (YPbPr) display device

Side 1 View



*requires use of VGA to component breakout cable

Side 2 View



*requires use of VGA to component breakout cable

Installation

WARNING: The default output signal from the video converter/scaler is 1024 x 768 (XGA) at 60 Hz. Not all display devices have the capability to display this resolution, so it is advisable to consult the documentation for your display before attempting installation. If your display does not support this resolution, you may not be able to access the menu features through the on-screen display (OSD).

Hardware Installation

1. Make sure all devices and components are powered off.
2. Connect the VGA/Component video source into the “PC/HD IN” connector on the video converter. If using a VGA source, then a standard male/male cable should suffice. If using a component source, use the included VGA to Component breakout cable.
3. Plug the power adapter into the video converter. The Power LED should light up steady.
4. Connect the “PC/HD Output” on the converter to the display device. If connecting a display with VGA inputs, a standard male/male VGA cable should suffice. If connecting a display with component inputs, use the included VGA to Component breakout cable.
5. Power on the display device.
6. Power on the video converter.
7. Power on the video source.

Driver Installation

No driver or software installation is required, as the video converter is an external device, not visible to the video source or display device.

How to Use

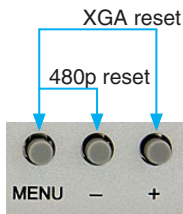
On-Screen Display

The video converter/scaler has a built in On-Screen Display (OSD) that can be accessed via the push buttons on the unit itself. The OSD allows for manual configuration of the video converter/scaler. Press the “Menu” button to activate the OSD and the + and - buttons to navigate the menu. Press the “Menu” button to confirm selections.

NOTE: The OSD will only activate if an active video source is connected to the video converter/scaler. If a video source is not connected or not turned on, the OSD will not be visible.

The OSD allows for adjustments to the output picture, such as brightness, contrast, color and output resolution. These options should allow for an optimal video image to be displayed on the display device.

If the wrong output resolution is selected, or incompatible with the type of display device being used, the output resolution can be reset to either XGA or 480p modes by pressing the “Menu” and + or “Menu” and - buttons simultaneously. XGA mode should be used for any display device that would normally be connected directly to a computer system (i.e. computer monitor), while 480p should be used for a display device that would normally be connected to cable/satellite TV.



OSD Menu

1st Level Menu	2nd Level Menu	Adjustment
Contrast	N/A	0~100
Brightness	N/A	0~100
Fine Tune	Hue	0~100
	Saturation	0~100
	Sharpness	0~100
	Exit	Return to 1st Level Menu
Color	Red	0~100
	Green	0~100
	Blue	0~100
	Exit	Return to 1st Level Menu
Size	N/A	Full, Overscan, Underscan, Letterbox, Panscan
Output	N/A	Native, VGA, SVGA, XGA, SXGA, UXGA, WXGA, WSXGA, WUXGA, 480i, 480p, 720p@50Hz, 720p@60Hz, 1080i@50Hz, 1080i@60Hz, 1080p@60Hz, 1080p@50Hz 576i, 576p,
OSD	HPosition	0~100 OSD Horizontal Position
	VPosition	0~100 OSD Vertical Position
	Timer	0~100sec. OSD time-out
	Background	0~100 OSD transparency
	Exit	Return to 1st Level Menu
Information	N/A	Source, Input, Output, Version
Exit	N/A	Exit OSD Menu

Support Resolutions

Input/Output Resolution	PC/HD Input	PC/HD Output
480i/576i	NTSC/PAL	NTSC/PAL
480p/576p	NTSC/PAL	NTSC/PAL
720p	50/60Hz	50/60Hz
1080i	25/30Hz	25/30Hz
1080p	50/60Hz	50/60Hz
VGA (640x480)	60/72/75/85Hz	60Hz
SVGA (800x600)	56/60/72/75/85Hz	60Hz
XGA (1024x768)	60/70/75/85Hz	60Hz
SXGA (1280x1024)	60/75/85	60Hz
UXGA (1600x1200)	60Hz	60Hz
WXGA (1280x800)	60Hz	60Hz
WSXGA (1680x1050)	60Hz	60Hz
WUXGA (1920x1200)	60Hz	60Hz

Specifications

Compatible Video Formats	VGA (RGBHV), Component (YPbPr)
Connectors	3 x DE-15 VGA female 1 x DC Power
LEDs	1 x Power
Maximum Video Resolution	1920x1200 / 1080p
On Screen Display	Yes
Operating Temperature	0°C to 40°C (32°F to 104°F)
Storage Temperature	0°C to 60°C (32°F to 140°F)
Humidity	0~60% RH
Power Adapter	5VDC, 2.6A, center positive
Dimensions	157.0mm x 102.0mm x 25.0mm
Weight	332g

Technical Support

StarTech.com's lifetime technical support is an integral part of our commitment to provide industry-leading solutions. If you ever need help with your product, visit www.startech.com/support and access our comprehensive selection of online tools, documentation, and downloads.

Warranty Information

This product is backed by a one year warranty.

In addition, StarTech.com warrants its products against defects in materials and workmanship for the periods noted, following the initial date of purchase. During this period, the products may be returned for repair, or replacement with equivalent products at our discretion. The warranty covers parts and labor costs only. StarTech.com does not warrant its products from defects or damages arising from misuse, abuse, alteration, or normal wear and tear.

Limitation of Liability

In no event shall the liability of StarTech.com Ltd. and StarTech.com USA LLP (or their officers, directors, employees or agents) for any damages (whether direct or indirect, special, punitive, incidental, consequential, or otherwise), loss of profits, loss of business, or any pecuniary loss, arising out of or related to the use of the product exceed the actual price paid for the product. Some states do not allow the exclusion or limitation of incidental or consequential damages. If such laws apply, the limitations or exclusions contained in this statement may not apply to you.



StarTech.com has been making “hard-to-find easy” since 1985, providing high quality solutions to a diverse IT and A/V customer base that spans many channels, including government, education and industrial facilities to name just a few. We offer an unmatched selection of computer parts, cables, A/V products, KVM and Server Management solutions, serving a worldwide market through our locations in the United States, Canada, the United Kingdom and Taiwan.

Visit **www.startech.com** today for complete information about all our products and to access exclusive interactive tools such as the Cable Finder, Parts Finder and the KVM Reference Guide.